

- o Flat Cable Connectors SEK
- o *har-mik®*
- o D-Sub
- o InduCom

Applications



### Product details

**09 18 140 9621**

**Pcb transition connector, 2 rows**

Rows	2 rows
Connector size	40 contacts
Termination	PCB transition for flat cable
Profile	Standard version
Termination	solder pins
Height	7.45 mm
RoHS compliant	Yes

#### Available Downloads

Title	Format	
Data sheet	PDF	download
CAD data 2D	DXF	download

#### Further links

3D-Library



**Inquiry**

5

4

3

2

1

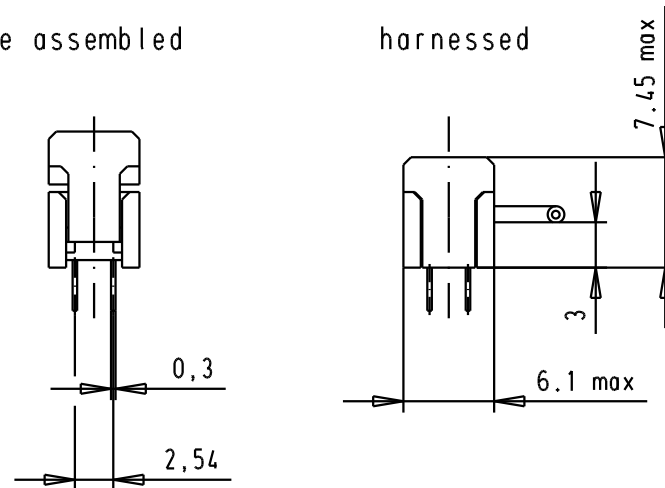
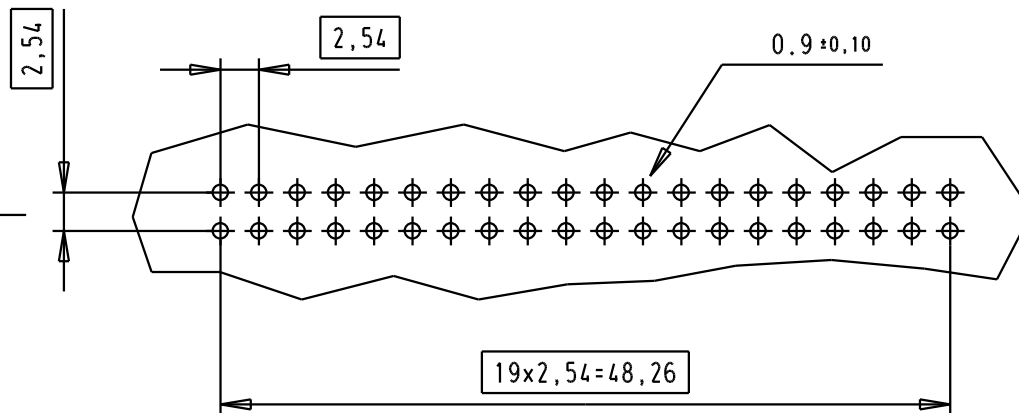
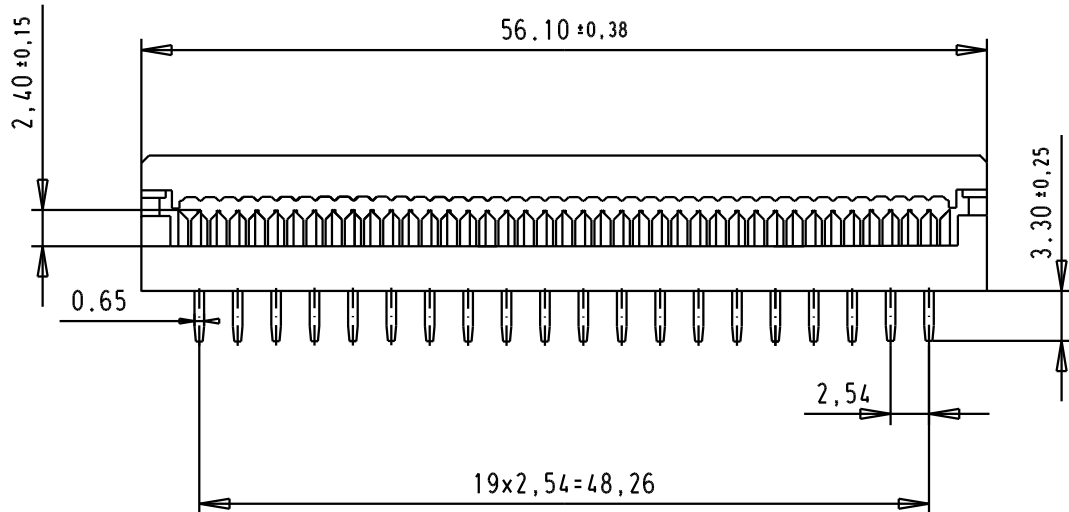
Printed board layout, component side

harnessed

pre assembled

pre assembled

harnessed



A

B

C

D

09 18 140 9621.200

NON-ASSEMBLED

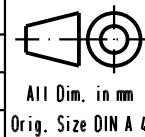
09 18 140 9621

PRE-ASSEMBLED

Part Number

Cover

			Dat.	Name
			Detail.	3.2.92 BP
			Insp.	
32151	01/09/04	TR	Stand.	
31575	26-NOV-03	SH		
26573	10.02.00	PP		
Mod.	Dat.	Name	HARTING EURL F-95972 Paris	



All Dim. in mm  
Orig. Size DIN A 4



SEK 18, P.C.B Transition  
40 poles connector  
2 rows

Maßstab/  
Scale

2 : 1

TB 09181409621

Blatt/ Page

1 / 1

Sub.